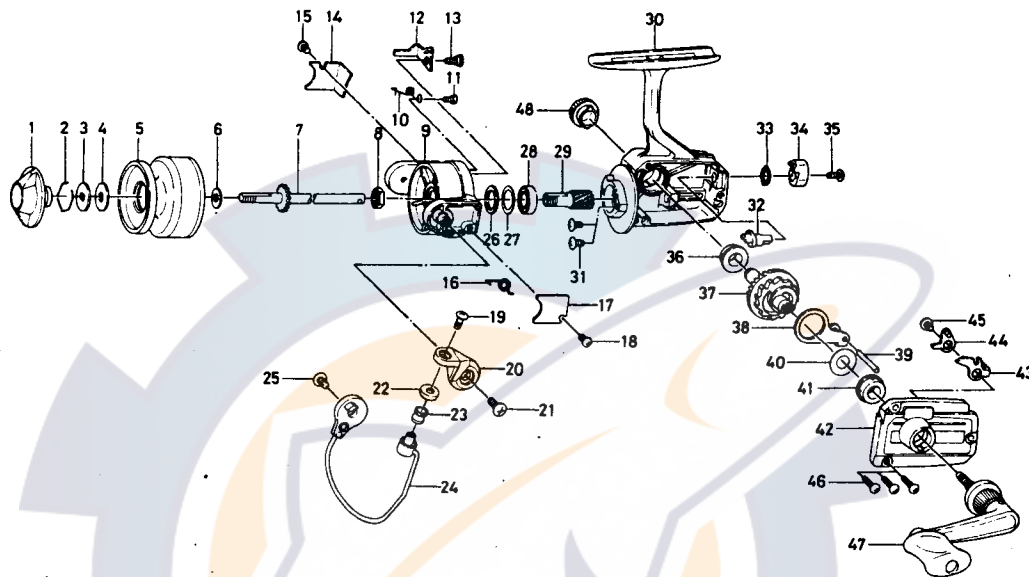


SPINNING REEL **RS700**



Key No.	Parts No.	Parts Name	Key No.	Parts No.	Parts Name
1	B67-9901	Drag knob	25	351-6102	Bail holder screw
2	170-7701	Drag washer retainer	26	B68-4401	Ball bearing ret. washer A
3	374-9802	Drag D washer	27	B67-8801	Ball bearing ret. washer B
4	374-3602	Disc washer	28	634-1301	Ball bearing
5	B68-8301	Spool	29	B62-5301	Pinion gear
6	372-3501	Spool washer	30	B68-8001	Body
7	B71-2301	Main shaft	31	351-1804	Ball bearing ret. washer screw
8	B67-9401	Rotor nut	32	B02-5501	Anti-reverse cam
9	B62-5501	Rotor	33	150-1751	Anti-reverse lever washer
10	B59-1201	Bail kick lever spring	34	B62-5201	Anti-reverse lever
11	353-8402	Bail kick lever spring screw	35	352-2502	Anti-reverse lever screw
12	B60-4201	Bail kick lever	36	B12-9002	Bearing
13	B59-1101	Bail kick lever screw	37	B68-4501	Drive gear
14	B60-4303	Bail kick lever cover	38	B02-6301	Oscillating slider
15	350-8913	Bail kick lever cover screw	39	B02-6601	Oscillating slider pin
16	B60-6701	Bail spring	40	373-7800	Drive gear washer
17	B60-3903	Bail spring cover	41	B12-9002	Bearing
18	350-8913	Bail spring cover screw	42	B68-8101	Body cover
19	B67-9301	Bail screw	43	B62-5901	Anti-reverse claw
20	B67-8901	Arm lever	44	B50-1201	Anti-reverse claw plate
21	351-6102	Arm lever screw	45	351-6102	Anti-reverse claw screw
22	B68-7901	Roller collar	46	351-1104	Body cover screw
23	250-1921	Line roller	47	B68-5001	Handle
24	B67-9002	Bail	48	B67-9801	Handle screw cap